

GREASE GUNS



* Subject to our guarantee terms and conditions which can be found at www.umeta.com

UMETA grease guns stand for highest quality and reliability.

We are certain of the quality of UMETA products and have a guaranty of four years for all UMETA TWIN-LOCK® grease guns with respect to function. Accurate manufacturing, high quality materials and intelligent product features turn our guns into effective precision tools that effortlessly reach high lubricating pressures.

UMETA TWIN-LOCK® grease guns will be delivered with a user's manual, either in a polybag, or in a coloured cardboard box.

All UMETA TWIN-LOCK® grease guns for 400g (14.0 oz.) grease cartridges comply with DIN 1283 as regards physical dimensions and performance and are suitable for grease cartridges according to DIN 1284.



Our grease guns 75/PK und 75/PL are DLG-certified



Of course, our quality management is ISO 9001-2008-certified

UMETA GREASE GUNS – ADVANTAGES AT A GLANCE

- UMETA TWIN-LOCK® system
- rolled coarse thread for high stability and easy disassembly
- special pressure stability by cast aluminium head and thick-walled barrel
- easy insertion of the plunger into the cartridge by a bulge in the barrel
- inner cartridge stopper
- stable hand lever with security handle
- ergonomic T-grip with jam protection
- knurled barrel for better hold and grip
- separate air release valve or filler valve
- special constructions available
- colours and imprints as per customer's request
- individual packaging
- high wearing security
- even after 30,000 strokes no wear is detectable
- available according to DIN 1283
- wide range of accessories

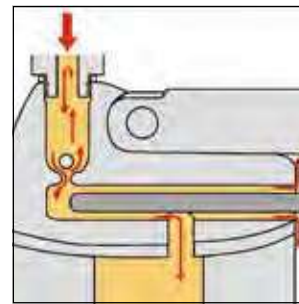


■ UMETA TWIN-LOCK®-SYSTEM – THE LIFE INSURANCE FOR YOUR MACHINES AND EQUIPMENT

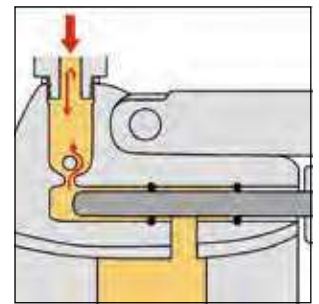
When maintaining your high quality machines and equipment, you should absolutely avoid quasi-lubrication!

What does quasi-lubrication mean?

Upon continuous operation, abrasion can easily take place between the metal piston and the metal cylinder of the grease gun. For this reason, the grease at the top of the piston can be pressed back into the cartridge at a low operating pressure without being noticed. In spite of all efforts, no grease will be transported to the lubrication spot. In order not to expose your machines to this risk, we developed the UMETA TWIN-LOCK® system. In connection with two special sealing elements, it protects the precision piston from wear upon continuous operation. By the special arrangement of the sealing elements, the UMETA TWIN-LOCK® system avoids quasi-



without UMETA TWIN-LOCK® System

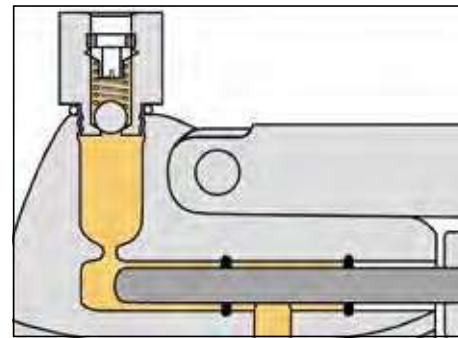


with UMETA TWIN-LOCK® System

lubrication and grease escaping the piston. The sealing elements are designed in a way that they adjust themselves to the corresponding operating pressure with respect to their sealing effect. For this unique advantage UMETA grease guns are worldwide renowned.

■ UMETA EVER-FLOW SYSTEM

The patented EVER-FLOW system invented by UMETA ensures perfect functioning of the UMETA TWIN-LOCK® gun, even with thick grease and at the lowest temperatures. This is ensured by an outlet valve equipped with a special ball stopper. Even semifluid biological grease will easily be transported by the vacuum developing during the pumping process. This is another advantage of UMETA's, where many other competitors' products fail.



■ UMETA GREASE GUN KITS

The well-established UMETA accessories for grease guns offer you the optimal solution for any application. We assembled the most common grease gun kits, which consist of the UMETA grease gun of your choice and the following standard accessory parts.

► Our most common standard kits:



110/G – nozzle tube with hydraulic coupling



340/GLN – hose 300 mm (12") with hydraulic coupling



Grease gun equipped with standard air release valve



Grease gun equipped with standard filler valve



Grease gun equipped with standard filler valve and nozzle tube

HAND LEVER GREASE GUNS

75/PK Silver



barrel version	silver painted steel barrel – DIN 1283 special colours available Ø 56 mm (2.2")
barrel length	296 mm (11.6")
suitable for	grease up to NLGI 3
filling capacity	400 g (14.0 oz.) grease cartridge / 500 ccm (16.0 oz.) bulk grease
connection thread	M 10 x 1 oder G 1/8 upon request 1/8 NPT

Connection	Packed in	Scope of delivery	Ref. No.:
M 10 x 1	polybag	without accessories	V000286
M 10 x 1	polybag	with 340/GLN	V000281
M 10 x 1	polybag	with 110/G	V000333
M 10 x 1	polybag	with 110/G + 340/GLN	V000524
M 10 x 1	polybag	with filler valve	V000342
M 10 x 1	cardboard box	without accessories	V000306
M 10 x 1	cardboard box	with 340/GLN	V000308
M 10 x 1	cardboard box	with 110/G	V000378
M 10 x 1	cardboard box	with 110/G + 340/GLN	V000717
M 10 x 1	cardboard box	with filler valve	V000319

* special version USA

75/PK Zinc



barrel version	made of zinc-plated steel – DIN 1283 special colours available Ø 56 mm (2.2")
barrel length	296 mm (11.6")
suitable for	grease up to NLGI 3
filling capacity	400 g (14.0 oz.) grease cartridge / 500 ccm (16.0 oz.) bulk grease
connection thread	M 10 x 1 or G 1/8 upon request 1/8 NPT

Connection	Packed in	Scope of delivery	Ref. No.:
M 10 x 1	polybag	without accessories	V000301
M 10 x 1	polybag	with 340/GLN	V000309
M 10 x 1	polybag	with 110/G	V000860
M 10 x 1	polybag	with 110/G + 340/GLN	V001167
M 10 x 1	polybag	with filler valve	V000432
M 10 x 1	cardboard box	without accessories	V000310
M 10 x 1	cardboard box	with 340/GLN	V000573
M 10 x 1	cardboard box	with 110/G	V000567
M 10 x 1	cardboard box	with 110/G + 340/GLN	V001166
M 10 x 1	cardboard box	with filler valve	V000358

Hand Lever Grease Gun with high quality silver painted steel barrel

- for 400 g (14.0 oz.) grease cartridges or 500 ccm (16.0 oz.) bulk grease
- with UMETA TWIN-LOCK® system and patented EVER-Flow system
- standard air release valve, alternatively with filler valve according to DIN 1283

operating pressure	400 bar / 5,800 PSI
output	approx. 1.9 ccm (0.06 oz.)/stroke
testing pressure	800 bar / 11,600 PSI
gun dimension	400 x 128 x 60 mm (15.7 x 5.0 x 2.36")
packed in	printed UMETA polybag or printed UMETA cardboard box
weight	net 1,250 g (44.1 oz.) + accessories and packaging

Connection	Packed in	Scope of delivery	Ref. No.:
G 1/8	polybag	without accessories	V000287
G 1/8	polybag	with 340/GLN	V000276
G 1/8	polybag	with 110/G	V000456
G 1/8	polybag	with 110/G + 340/GLN	V001174
G 1/8	polybag	with filler valve	V001045
G 1/8	cardboard box	without accessories	V000402
G 1/8	cardboard box	with 340/GLN	V000449
G 1/8	cardboard box	with 110/G	V000535
G 1/8	cardboard box	with 110/G + 340/GLN	V001176
G 1/8	cardboard box	with filler valve	V000495
1/8 NPT	polybag	with 95/G	V000667
1/8 NPT	polybag	with filler valve* and 95/G	V000616
1/8 NPT	cardboard box	with filler valve* and 95/G	V000403

Hand Lever Grease Gun with high quality zinc-plated steel barrel

- for 400 g (14.0 oz.) grease cartridges or 500 ccm (16.0 oz.) bulk grease
- with UMETA TWIN-LOCK® system and patented EVER-Flow-System
- standard air release valve, alternatively with filler valve according to DIN 1283

operating pressure	400 bar / 5,800 PSI
output	approx. 1.9 ccm (0.06 oz.)/stroke
testing pressure	800 bar / 11,600 PSI
gun dimension	400 x 128 x 60 mm (15.7 x 5.0 x 2.36")
packed in	printed UMETA polybag or printed UMETA cardboard box
weight	net 1,250 g (44.1 oz.) + accessories and packaging

Connection	Packed in	Scope of delivery	Ref. No.:
G 1/8	polybag	without accessories	V000349
G 1/8	polybag	with 340/GLN	V001408
G 1/8	polybag	with 110/G	V001182
G 1/8	polybag	with 110/G + 340/GLN	V001181
G 1/8	polybag	with filler valve	V001249
G 1/8	cardboard box	without accessories	V001172
G 1/8	cardboard box	with 340/GLN	V001409
G 1/8	cardboard box	with 110/G	V001185
G 1/8	cardboard box	with 110/G + 340/GLN	V001184
G 1/8	cardboard box	with filler valve	V001250

75/PL Zinc

barrel version	made of zinc-plated steel Ø 56 mm (2.2")
barrel length	370 mm (14.6")
suitable for	grease up to NLGI 3
filling capacity	500 g (17.5 oz.) grease cartridge/600 ccm (20 oz.) bulk grease
connection thread	M 10 x 1 or G 1/8 upon request 1/8 NPT

Connection	Packed in	Scope of delivery	Ref. No.:
M 10 x 1	polybag	without accessories	V000662
M 10 x 1	polybag	with 340/GLN	V000810
M 10 x 1	polybag	with 110/G	V000803
M 10 x 1	polybag	with 110/G + 340/GLN	V001199
M 10 x 1	polybag	with filler valve	V001197
M 10 x 1	cardboard box	without accessories	V000439
M 10 x 1	cardboard box	with 340/GLN	V001422
M 10 x 1	cardboard box	with 110/G	V001460
M 10 x 1	cardboard box	with 110/G + 340/GLN	V000525
M 10 x 1	cardboard box	with filler valve	V000486

75/LL Zinc

barrel version	made of zinc-plated steel Ø 56 mm (2.2")
barrel length	445 mm (17.5")
suitable for	grease up to NLGI 3
filling capacity	1,000 ccm (32 oz.) bulk grease
connection thread	M 10 x 1 or G 1/8 upon request 1/8 NPT

Connection	Packed in	Scope of delivery	Ref. No.:
M 10 x 1	polybag	without accessories	V000647
M 10 x 1	polybag	with 340/GLN	V000941
M 10 x 1	polybag	with 110/G	V001213
M 10 x 1	polybag	with 110/G + 340/GLN	V001212
M 10 x 1	polybag	with filler valve	V000938

Hand Lever Grease Gun with extended zinc-plated steel barrel

- for 500 g (17.5 oz.) grease cartridges or 600 ccm (20 oz.) bulk grease
- with UMETA TWIN-LOCK® system and patented EVER-Flow system
- standard air release valve, alternatively with filler valve according to DIN 1283

operating pressure	400 bar / 5,800 PSI
output	approx. 1.9 ccm (0.06 oz.)/stroke
testing pressure	800 bar / 11,600 PSI
gun dimension	475 x 128 x 60 mm (18.7 x 5.0 x 2.36")
packed in	printed UMETA polybag or printed UMETA cardboard box
weight	net 1,450 g (51.5 oz.) + accessories and packaging

Connection	Packed in	Scope of delivery	Ref. No.:
G 1/8	polybag	without accessories	V001093
G 1/8	polybag	with 340/GLN	V001201
G 1/8	polybag	with 110/G	V001129
G 1/8	polybag	with 110/G + 340/GLN	V001200
G 1/8	polybag	with filler valve	V001198
G 1/8	cardboard box	without accessories	V001461
G 1/8	cardboard box	with 340/GLN	V001462
G 1/8	cardboard box	with 110/G	V001463
G 1/8	cardboard box	with 110/G + 340/GLN	V001464
G 1/8	cardboard box	with filler valve	V001465

Hand Lever Grease Gun with extra long zinc-plated steel barrel

- for 1,000 ccm (32.0 oz.) bulk grease
- with UMETA TWIN-LOCK® system and patented EVER-Flow system
- standard air release valve, alternatively with filler valve according to DIN 1283

operating pressure	400 bar / 5,800 PSI
output	approx. 1.9 ccm (0.06 oz.)/stroke
testing pressure	800 bar / 11,600 PSI
gun dimension	552 x 128 x 60 mm (21.7 x 5.0 x 2.36")
packed in	printed UMETA polybag
weight	net 1,660 g (58.5 oz.) + accessories and packaging

Connection	Packed in	Scope of delivery	Ref. No.:
G 1/8	polybag	without accessories	V000648
G 1/8	polybag	with 340/GLN	V001233
G 1/8	polybag	with 110/G	V001232
G 1/8	polybag	with 110/G + 340/GLN	V001229
G 1/8	polybag	with filler valve	V001214

75/PKU



barrel version	made of zinc-plated steel Ø 56 mm (2.2")
barrel length	295 mm (11.6")
suitable for	grease up to NLGI 3
filling capacity	400 g (14.0 oz.) grease cartridge / 500 ccm (16.0 oz.) bulk grease
connection thread	M 10 x 1 or G 1/8 upon request 1/8 NPT

Connection	Packed in	Scope of delivery	Ref. No.:
M 10 x 1	cardboard box	without accessories	7021312
M 10 x 1	cardboard box	with 340/GLN	6800130
M 10 x 1	cardboard box	with 110/G	7751511
M 10 x 1	cardboard box	with 110/G + 340/GLN	6800140

UMETA TWIN-LOCK® Ultra Gun

top model, which combines quality, function and design

- for 400 g (14.0 oz.) grease cartridges or 500 ccm (16.0 oz.) bulk grease
- ergonomic grips made of anti-slip material
- with UMETA TWIN-LOCK® system and patented EVER-Flow system
- filler valve, DIN 1283 included
- UMETA multi colour cardboard box

operating pressure	400 bar / 5,800 PSI
output	approx. 1.9 ccm (0.06 oz.)/stroke
testing pressure	800 bar / 11,600 PSI
gun dimension	400 x 135 x 75 mm (15.7 x 5.3 x 3.0")
packed in	printed UMETA cardboard box
	portable carrying case
weight	1,300 g (45.8 oz.) + accessories and packaging

Connection	Packed in	Scope of delivery	Ref. No.:
G 1/8	cardboard box	without accessories	7021411
G 1/8	cardboard box	with 340/GLN	7752611
G 1/8	cardboard box	with 110/G	7751611
G 1/8	cardboard box	with 110/G + 340/GLN	7759611

UMETA TWIN-LOCK® Ultra Case Kit



The complete lubricating equipment in a handy carrying case. The carrying case contains everything you need for lubricating anything, especially our **UMETA TWIN-LOCK® Ultra Grease Gun 75/PKU according to DIN 1283**. The carrying case kit comes with the practical UMETA hose parking unit. The grease gun can be hung up on the wall by the provided wall bracket, and is thus always at hand. With the many accessories, you will be prepared for any needed application.

Accessories kit, consisting of:

- hydraulic hose 340/GLN
- nozzle tube 110/G
- hydraulic coupling 515/G-4
- quick-adaptor, short version
200/M 4, 200/M 1, 200/M 22, 200/S, 200/XS
- grease nipple assortment 60s, each 5 pcs. H1/H2/H3
6 x 1, 8 x 1, 10 x 1, R 1/8
- grease cartridge 400 g (14.0 oz.)
- hose parking unit at hand lever
- wall bracket

Connection	Packaging	Scope of delivery	Ref. No.:
M 10 x 1	carrying case	complete accessories	6900096
G 1/8	carrying case	complete accessories	6900098

	Ref. No.:
case without content	6900095

70/PK



The extremely light polyamide barrel with the extra band knurls ensures optimal and comfortable handling, even with cold temperatures. The robust material combines the advantages of rust-resistance and form stability, even with crashes and other impacts.

barrel version	shock-resistant polyamide barrel Ø 60 mm (2 1/8")
barrel length	292 mm (11 1/2")
suitable for	grease up to NLGI 3
filling capacity	400 g (14.0 oz.) grease cartridge/500 ccm (16.0 oz.) bulk grease
connection thread	M 10 x 1 or G 1/8 upon request 1/8 NPT

Hand Lever Grease Gun with shock-resistant polyamide barrel

- for 400 g (14.0 oz.) grease cartridges or 500 ccm (16.0 oz.) bulk grease
- with UMETA TWIN-LOCK® system and patented EVER-Flow system
- standard air release valve, alternatively with filler valve according to DIN 1283

operating pressure	400 bar / 5,800 PSI
delivery capacity	approx. 1.9 ccm (0.06 oz.)/stroke
testing pressure	800 bar / 11,600 PSI
gun dimension	400 x 128 x 60 mm (15.7 x 5.0 x 2.36")
packed in	printed UMETA polybag or printed UMETA cardboard box
weight	1,000 g (35.3 oz.) + accessories and packaging

Connection	Packed in	Scope of delivery	Ref. No.:
M 10 x 1	polybag	without accessories	V000354
M 10 x 1	polybag	with 340/GLN	V000472
M 10 x 1	polybag	with 110/G	V000550
M 10 x 1	polybag	with 110/G + 340/GLN	V001002
M 10 x 1	polybag	with filler valve	V000790
M 10 x 1	cardboard box	without accessories	V000350
M 10 x 1	cardboard box	with 340/GLN	V000952
M 10 x 1	cardboard box	with 110/G	V000881
M 10 x 1	cardboard box	with 110/G + 340/GLN	V001118
M 10 x 1	cardboard box	with filler valve	V001466

Connection	Packed in	Scope of delivery	Ref. No.:
G 1/8	polybag	without accessories	V000443
G 1/8	polybag	with 340/GLN	V000637
G 1/8	polybag	with 110/G	V001095
G 1/8	polybag	with 110/G + 340/GLN	V001211
G 1/8	polybag	with filler valve	V001251
G 1/8	cardboard box	without accessories	V000645
G 1/8	cardboard box	with 340/GLN	V000842
G 1/8	cardboard box	with 110/G	V001094
G 1/8	cardboard box	with 110/G + 340/GLN	V001467
G 1/8	cardboard box	with filler valve	V001468

73/PK



barrel version	made of zinc-plated steel Ø 56 mm (2.2")
barrel length	200 mm (7.87")
suitable for	grease up to NLGI 3
filling capacity	300 ccm (10.0 oz.) bulk grease
connection thread	M 10 x 1 or G 1/8 upon request 1/8 NPT

Hand Lever Grease Gun with shortened zinc-plated steel barrel

- for 300 ccm (10.0 oz.) bulk grease
- with UMETA TWIN-LOCK® system and patented EVER-Flow system
- standard air release valve, alternatively with filler valve according to DIN 1283

operating pressure	400 bar / 5,800 PSI
delivery capacity	approx. 1.9 ccm (0.06 oz.)/stroke
testing pressure	400 bar / 5,800 PSI
gun dimension	345 x 128 x 60 mm (13.6 x 5.0 x 2.36")
packed in	printed UMETA polybag or cardboard box
weight	1,075 g (37.9 oz.) + accessories and packaging

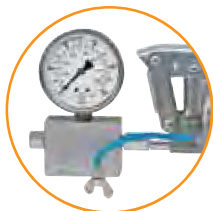
Connection	Packed in	Scope of delivery	Ref. No.:
M 10 x 1	polybag	without accessories	V000211
M 10 x 1	polybag	with 340/GLN	V000549
M 10 x 1	polybag	with 110/G	V000773
M 10 x 1	polybag	with 110/G + 340/GLN	V001220
M 10 x 1	polybag	with filler valve	V001218
M 10 x 1	cardboard box	without accessories	V000479
M 10 x 1	cardboard box	with 340/GLN	V001479
M 10 x 1	cardboard box	with 110/G	V001096
M 10 x 1	cardboard box	with 110/G + 340/GLN	V001480
M 10 x 1	cardboard box	with filler valve	V000457

Connection	Packed in	Scope of delivery	Ref. No.:
G 1/8	polybag	without accessories	V000993
G 1/8	polybag	with 340/GLN	V001227
G 1/8	polybag	with 110/G	V001054
G 1/8	polybag	with 110/G + 340/GLN	V001224
G 1/8	polybag	with filler valve	V001219
G 1/8	cardboard box	without accessories	V001481
G 1/8	cardboard box	with 340/GLN	V001024
G 1/8	cardboard box	with 110/G	V001097
G 1/8	cardboard box	with 110/G + 340/GLN	V001482
G 1/8	cardboard box	with filler valve	V000458

75/PKM



optionally available:
Gun head with
pressure release



pressure gauge	pressure range up to 400 bar / 5,800 PSI alternatively with pressure range up to 1,000 bar / 14,500 PSI available with or without pressure release device
barrel version	made of zinc-plated steel special colours available Ø 56 mm (2.2")

pressure gauge up to 400 bar

Connection	Packed in	Pressure release	Ref. No.:
M 10 x 1	polybag	without	V000485
M 10 x 1	polybag	with	V000712
G 1/8	polybag	without	V000859
G 1/8	polybag	with	V000391

Hand Lever Grease Gun with pressure gauge

- pressure gauge grease gun for the exact control of the lubricating pressure in order to protect pressure-sensitive components, bearings and gaskets
- for 400 g (14.0 oz.) grease cartridges or 500 ccm (16.0 oz.) bulk grease
- with high quality zinc-plated steel barrel
- with UMETA TWIN-LOCK® system und patented EVER-Flow system
- standard air release valve, alternatively with filler valve according to DIN 1283

barrel length	296 mm (11.6")
suitable for	grease up to NLGI 3
filling capacity	400 g (14.0 oz.) grease cartridge / 500 ccm (16.0 oz.) bulk grease
connection thread	M 10 x 1 or G 1/8 upon request 1/8 NPT
operating pressure	400 bar / 5,800 PSI
output	approx. 1.9 ccm (0.06 oz.)/stroke
testing pressure	800 bar / 11,600 PSI
gun dimension	480 x 130 x 60 mm (18.9 x 5.1 x 2.36")
packed in	printed UMETA polybag
weight	1,555 g (54.8 oz.) + accessories and packaging

pressure gauge up to 1,000 bar

Connection	Packed in	Pressure release	Ref. No.:
M 10 x 1	polybag	without	V000978
M 10 x 1	polybag	with	V000545
G 1/8	polybag	without	V000499
G 1/8	polybag	with	V000392

EcoLube



barrel version	blue painted steel barrel RAL 5026 Ø 56 mm (2.2")
barrel length	287 mm (11.3")
suitable for	grease up to NLGI 3
filling capacity	400 g (14.0 oz.) grease cartridge / 500 ccm (16.0 oz.) bulk grease
connection thread	M 10 x 1 or G 1/8

Connection	Packed in	Scope of delivery	Ref. No.:
M 10 x 1	polybag	without accessories	7000000
M 10 x 1	polybag	with extension tube and hydraulic coupler	7000002

Hand Lever Grease Gun

- for 400 g (14.0 oz.) grease cartridges or 500 ccm (16.0 oz.) bulk grease
- according to DIN 1283
- comes with filler valve

The light steel body, the ergonomically formed hand lever, and extra band knurls on the barrel ensure optimal handling.

operating pressure	400 bar / 5,800 PSI
output	approx. 1.4 ccm/stroke
testing pressure	600 bar / 8,700 PSI
gun dimension	390 x 120 x 55 mm (15.3 x 4.7 x 2.2")
packed in	polybag
weight	1,200 g (42.3 oz.) + accessories and packaging

Connection	Packed in	Scope of delivery	Ref. No.:
G 1/8	polybag	without accessories	7000003
G 1/8	polybag	with extension tube and hydraulic coupler	7000005